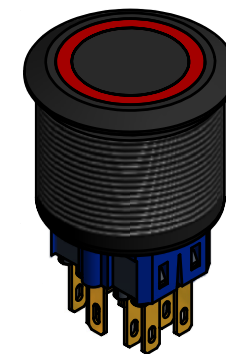
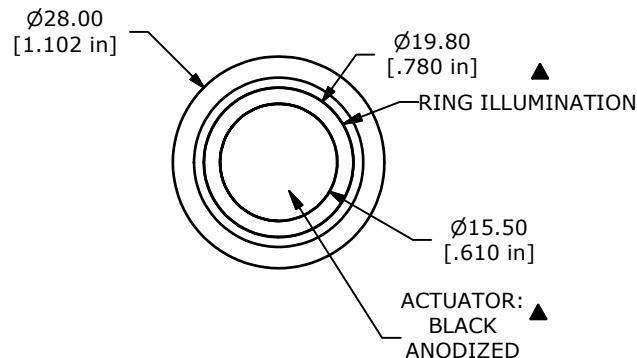
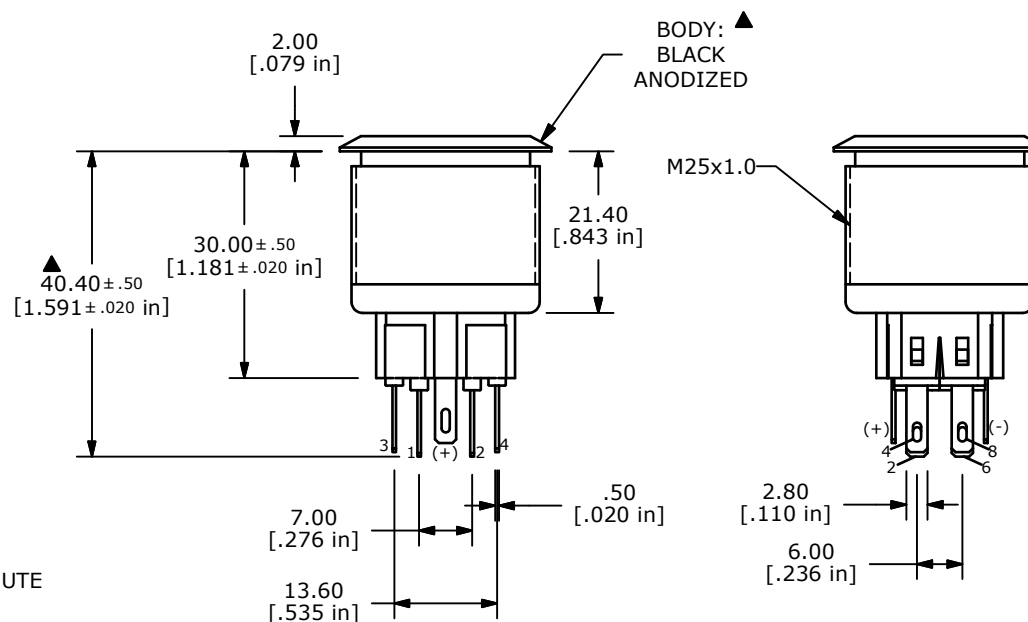
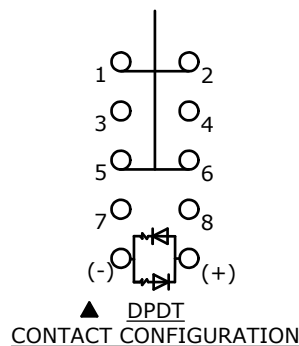


SWITCH FUNCTION ▲	
POS. 1	POS. 2
1-2, 5-6	3-4, 7-8



PANEL CUTOUT  
MAX. PANEL THICKNESS 12mm



- NOTE:
- ALL DIMENSIONS IN MM [INCH]
  - GENERAL TOLERANCE: X.X = ± 0.4  
X.XX = ± 0.25
  - TERMINAL NOS. FOR REF. ONLY
  - FUNCTION: DPDT MAINTAINED
  - RATING: 2A @ 48VDC
  - ILLUMINATION VOLTAGE: 1.8 V
  - CONTACT RESISTANCE: 50mΩ MAX. @ 1A 12VDC
  - INSULATION RESISTANCE: 1,000MΩ @ 500VDC
  - DIELECTRIC STRENGTH: 2,000VAC MIN. FOR 1 MINUTE
  - ELECTRICAL LIFE: 50,000 CYCLES
  - OPERATING TEMPERATURE: -20°C TO 55°C
  - INGRESS PROTECTION: IP65
  - ▲ DENOTES CRITICAL PARAMETER
  - 2002/95/EC (ROHS) COMPLIANT
  - ILLUMINATION COLOR: RED (FORWARD), RED (REVERSE)
  - CONTACT PLATING: SILVER
  - HARDWARE SUPPLIED: O-RING AND HEXNUT



TITLE PV8F2U011-311

A	21793	RELEASE FOR PRODUCTION	3/3/15	rc
REV	PCR NO	DESCRIPTION	DATE	BY

SCALE	DATE	DR	DWG	REV
1:1	3/3/2015	rc	52-PV8F2U011311	A

THE INFORMATION CONTAINED IN THIS DOCUMENT IS PROPRIETARY TO E-SWITCH AND IS NOT TO BE COPIED OR TRANSFERRED